

Bell Hydromatics

Fixed Displacement Vane Pumps

Double Pumps



IVP(Q)31



IVP(Q)31 DoublePumps Max. Continuous Pressures

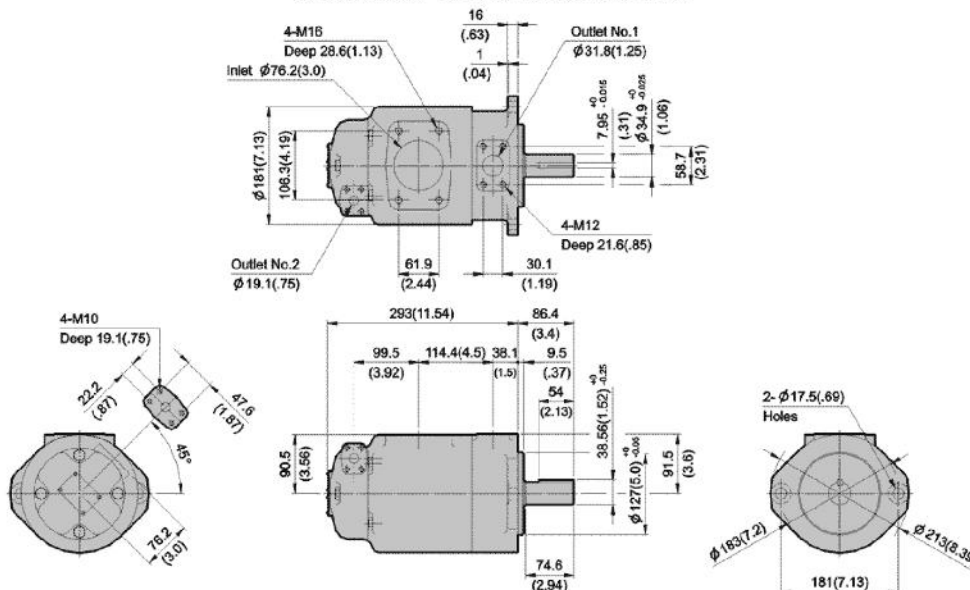
MODEL	Shaft end Pump (No.1 outlet)			Cover End Pump (No.2 outlet)			Max. Speed rpm	Min. Speed rpm
	◆Code	Geometric displacement cm ³ /r	Max. Pressure bar	◆Code	Geometric Displacement cm ³ /r	Max. Pressure bar		
IVP(Q)31	17	53.3	♣172 F3 = 69 F11 = 157	5	16.7	♣207 F3 = 69 F11 = 157	1800 F3 = 1200 F11 = 1500	600
	21	66.7		6	19.2			
	25	79.2		7	22.9			
	30	95.0		8	26.2			
	32	100		10	31.0	♣157 F3 = 69, F11 = 138		
	35	109						
	38	128						
	42	134						

◆ Rated capacity in USgpm at 1200 rpm and 6.9 bar.

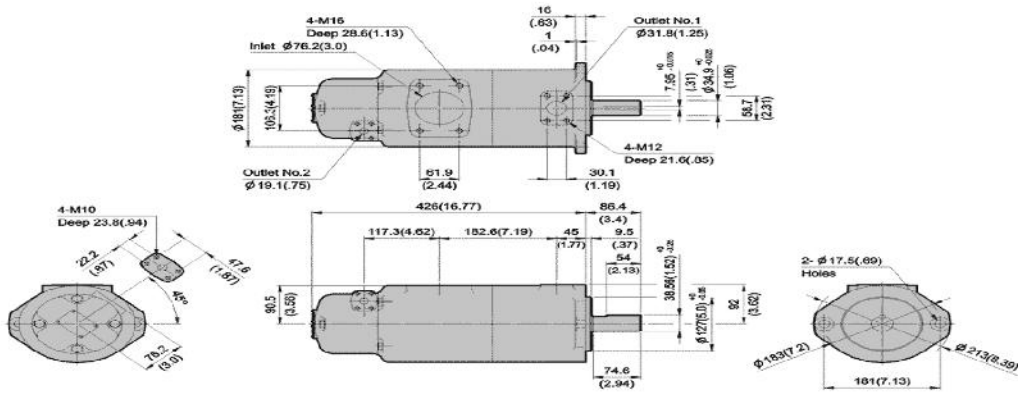
♣ Transient (peak) pressure 10% over the max. continuous pressure rating for 0.5 seconds or less duration is allowed.

Dimensions

IVP31 Double Pumps: Flange Mounting

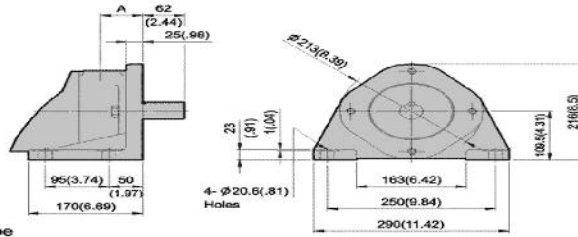


IVPQ31 Double Pumps: Flange Mounting



IVP(Q)31 Double Pumps: Foot Mounting

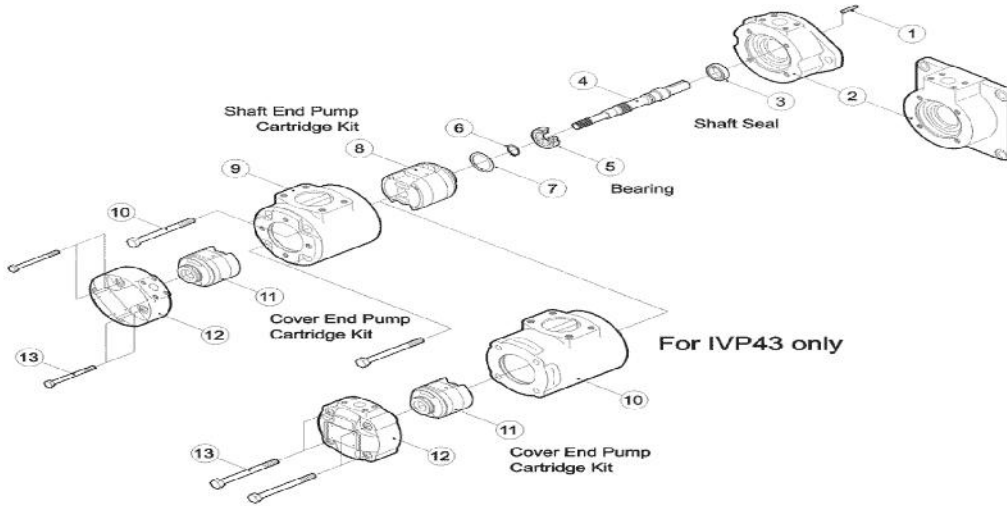
MODEL	DIMENSION A
IVP31	83(2.48)
IVPQ31	70(2.76)



For other dimensions, refer to "Flange Mounting" type

Assembly

IVP31 Double Pumps – Assembly



IVPQ31 Double Pumps – Assembly

